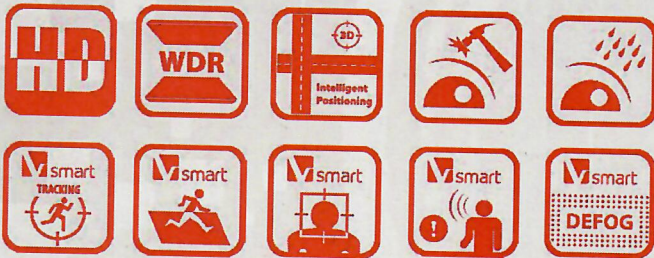


# HIKVISION

## DS-2DF8223I-AEL(W) 2MP Ultra-low Light Smart PTZ Camera



### smart PTZ

Hikvision Darkfighter series DS-2DF8223I-AEL(W) smart PTZ dome cameras are able to capture high quality colored images in dim light environment with its cutting-edge low illumination level down to 0.002Lux (color). Embedded with 1/1.9" progressive scan CMOS chip makes true WDR (120dB) and 2MP real-time resolution possible. With the 31X optical zoom Day/Night lens, the camera offers more details over expansive areas.

The Darkfighter PTZ camera also features a wide range of smart functions, including face detection, intrusion detection, line crossing detection and audio exception, benefitting users with great improvement on security efficiency, more importantly, with key events / objects being recorded for further forensic needs. These features, combined with smart tracking, which enables the camera to detect any progressively moving object and follow it within the camera's area of coverage without fault. Smart Defog and EIS (Electronic Image Stabilization) are further supported to improve image quality in challenging conditions.

The Darkfighter smart PTZ opens up new opportunities for 24-hour CCTV surveillance, the overall excellence of the camera has been recognized by the IFSEC Security & Fire Excellence Awards as a finalist for "CCTV Camera Equipment of the Year".

**DARKFIGHTER**



### Key Features

- 1/1.9" HD CMOS sensor
- 2MP(1920\*1080) Full HD
- 23X Optical Zoom
- Ultra-low illumination
- 120dB True WDR
- Smart Tracking
- Smart Detection
- EIS (Electronic Image Stabilization)
- Defog
- 200m IR distance
- Optional wiper(-W)
- Hi-PoE / 24VAC power supply



[www.hikvision.com](http://www.hikvision.com)



# DS-2DF8223I-AEL(W) 2MP Ultra-low Light Smart PTZ

**DARKFIGHTER**



## Function Description

### Basic function:

- High performance CMOS, up to 1920x1080 resolution
- $\pm 0.1^\circ$  Preset Accuracy
- ONVIF(Open Network Video Interface Forum), CGI(Common Gateway Interface), PSIA(Physical Security Interoperability Alliance), to ensure greater interoperability between different platforms and compatibility
- 3D intelligent positioning function
- 3D DNR
- IP66 standard
- 7 alarm inputs and 2 alarm outputs
- Scheduled PTZ movement
- Optional wiper(-W)

### Smart function:

- Smart tracking modes: Manual/ Panorama/ Intrusion trigger/ Line crossing trigger/ Region entrance trigger/ Region exiting trigger, support smart tracking when patrol between multiple scenarios
- Smart detection: support Face detection, Intrusion detection, Line crossing detection, Audio exception detection, Region entrance detection, Region exiting detection
- Smart recording: support edge recording, support dual-VCA for smart search in smart NVR
- Smart image processing: support optical defog, HLC, smart IR, EIS
- Smart codec: low bit rate, ROI

### Camera function:

- Auto iris, auto focus, auto white balance, backlight compensation and auto day & night switch
- Min. Illumination: 0.002Lux@(F1.5,AGC ON)(Color), 0.0002Lux@(F1.5,AGC ON)(B/W)
- Support privacy mask with multiple colors and mosaics on polygonal areas

### PTZ function:

- $360^\circ$  endless pan range and  $-20^\circ \sim 90^\circ$  tilt range
- $240^\circ$  /s Pan Preset Speed and  $200^\circ$  /s Tilt Preset Speed

- $0.1^\circ \sim 300^\circ$  /s Manual Pan Speed and  $0.1^\circ \sim 120^\circ$  /s Manual Tilt Speed
- 300 presets programmable; preset image freezing capability
- 8 patrols, up to 32 presets per patrol
- 4 patterns, with the recording time not less than 10 minutes per pattern
- Proportional zoom function
- Park action: auto call up of PTZ movement, after a defined time of inactivity
- Power-off memory: restore PTZ & Lens status after reboot

### Network function:

- H.264/MJPEG/MPEG4 video compression
- H.264 encoding with Baseline/Main/High profile
- ROI(Region of Interest) encoding(support 24 areas with adjustable levels)
- Built-in Web server
- Onboard storage, up to 128GB
- Support up to 8 NAS storage; Edge recording(transmit the videos from SD card to the NAS after network resumed)
- HTTPS encryption and IEEE 802.1X port-based network access control
- Support trip-streams
- Multiple network protocols supported: IPv4/IPv6, HTTP, HTTPS, 802.1X, QoS, FTP, SMTP, UPnP, SNMP, DNS, DDNS, NTP, RTSP, RTP, TCP, UDP, IGMP, ICMP, DHCP, PPPoE
- 1 audio input and 1 audio output

### IR function:

- 0 Lux minimum illumination
- Up to 200m IR distance
- IR light MTBF reaching up to 30,000 hours

**HIKVISION**



# DS-2DF8223I-AEL(W) 2MP Ultra-low Light Smart PTZ



**DARKFIGHTER**

<b>Model</b>	<b>DS-2DF8223I-AEL(W)</b>
<b>Camera Module</b>	
Image Sensor	1/1.9" Progressive Scan CMOS
Min. Illumination	F1.5, 50IRE, AGC On: Color: 0.002 lux, B/W : 0.0002 lux, 0 lux with IR
Max. Image Resolution	1920×1080
Focal Length	5.9-135.7mm, 23x
Digital Zoom	16X
Zoom Speed	Approx.4.8s(Optical Wide-Tele)
Angle of View	59.8-3.0 degree (Wide-Tele)
Min. Working Distance	10-1500mm(Wide-Tele)
Aperture Range	F1.5~F3.4
Focus Mode	Auto / Semiautomatic / Manual
WDR	120dB
Shutter Time	50Hz: 1~1/30,000s; 60Hz: 1~1/30,000s
AGC	Auto / Manual
White Balance	Auto / Manual /ATW/Indoor/Outdoor/Daylight lamp/Sodium lamp
Day & Night	IR Cut Filter
Privacy Mask	24 privacy masks programmable; optional multiple colors and mosaics
Enhancement	3D DNR, EIS, Defog, HLC/BLC, SVC
<b>Pan and Tilt</b>	
Range	Pan:360° endless; Tilt: -20°~90°(Auto Flip)
Speed	Pan Manual Speed: 0.1~160°/s, Pan Preset Speed: 240°/s Tilt Manual Speed: 0.1~120°/s, Tilt Preset Speed: 200°/s
Number of Preset	300
Patrol	8 patrols, up to 32 presets per patrol
Pattern	4 patterns, with the recording time not less than 10 minutes per pattern
Park Action	Preset / Patrol / Pattern / Auto scan / Tilt scan / Random scan / Frame scan / Panorama scan
Scheduled Task	Preset / Patrol / Pattern / Auto scan / Tilt scan / Random scan / Frame scan / Panorama scan/Dome reboot/Dome adjust/Aux output
<b>Smart Features</b>	
Smart tracking	Manual/ Panorama/ Intrusion trigger/ Line crossing trigger/ Region entrance trigger/ Region exiting trigger Smart tracking when patrol between multiple scenarios
Smart detection	Face detection, Intrusion detection, Line crossing detection, Audio exception detection, Region entrance detection, Region exiting detection
ROI encoding	Support 24 areas with adjustable levels
<b>Infrared</b>	
IR Distance	Up to 200m
IR Intensity	Automatically adjusted, depending on the zoom ratio
<b>Alarm</b>	
Alarm I/O	7/2
Alarm Trigger	Face detection, Intrusion detection, Line crossing detection, Region entrance, Region exiting, Audio exception detection, Motion detection, Dynamic analysis, Tampering alarm, Network disconnect, IP address conflict, Storage exception
Alarm Action	Preset, Patrol, Pattern, Micro SD/SDHC card recording, Relay output, Notification on Client, Send Email, Upload to FTP, Trigger Channel
<b>Input/Output</b>	
Monitor Output	1.0V[p-p] / 75Ω, NTSC (or PAL) composite, BNC (S / N Ratio ≥ 55dB)
Audio Input	1 Mic in/Line in interface, line input: 2-2.4V[p-p]; output impedance: 1KΩ, ±10%
Audio Output	1 Audio output interface, line level, impedance: 600Ω
<b>Network</b>	
Ethernet	10Base-T / 100Base-TX, RJ45 connector
Main Stream	50Hz: 25fps(1920×1080, 1280×960, 1280×720); 60Hz: 30fps(1920×1080, 1280×960, 1280×720)
Sub Stream	50Hz: 25fps(704×576, 352×288, 176×144); 60Hz: 30fps(704×480, 352×240, 176×120)
Third Stream	50Hz: 25fps(1920×1080, 1280×960, 1280×720, 704×576, 352×288, 176×144) 60Hz: 30fps(1920×1080, 1280×960, 1280×720, 704×480, 352×240, 176×120)
Image Compression	H.264/MJPEG/MPEG4, H.264 encoding with Baseline/Main/High profile

**HIKVISION**



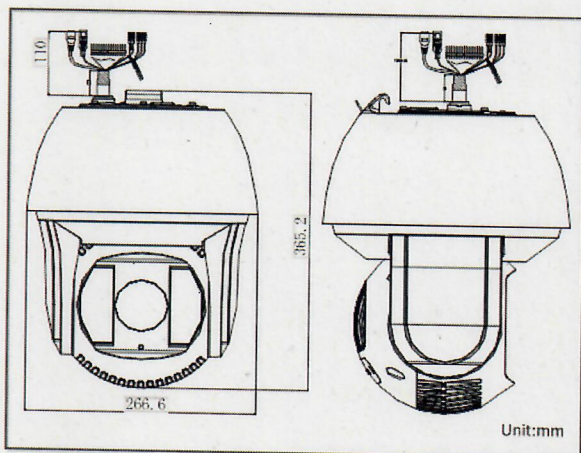
# DS-2DF8223I-AEL(W) 2MP Ultra-low Light Smart PTZ

**DARKFIGHTER**



Audio Compression	G.711ulaw/G.711alaw/G.726/MP2L2/G.722/PCM
Protocols	IPv4/IPv6, HTTP, HTTPS, 802.1X, QoS, FTP, SMTP, UPnP, SNMP, DNS, DDNS, NTP, RTSP, RTP, TCP, UDP, IGMP, ICMP, DHCP, PPPoE
Simultaneous Live View	Up to 20 users
Mini SD Memory Card	Support up to 128GB Micro SD/SDHC/SDXC card. Support Edge recording
User/Host Level	Up to 32 users, 3 Levels: Administrator, Operator and User
Security Measures	User authentication (ID and PW); Host authentication (MAC address); IP address filtering
<b>System Integration</b>	
Application programming	Open-ended API, support ONVIF, PSIA, CGI and Genetec
Web Browser	IE 7+, Chrome 18+, Firefox 5.0+, Safari 5.02+, support multi-language
RS-485 Protocols	HIKVISION, Pelco-P, Pelco-D, self-adaptive
Power	High-PoE&24 VAC, Max.60W
Working Temperature	-40° C ~ 65° C (-40° F ~ 149° F)
Humidity	90% or less
Protection Level	IP66, IK10, TVS 6,000V lightning protection, surge protection and voltage transient protection
Certification	FCC, CE, UL, RoHS, IEC/EN 61000, IEC/EN 55022, IEC/EN 55024, IEC/EN60950-1
Dimensions	Φ266.6(mm)×365.2(mm)
Weight (approx.)	8kg (approx.)
Mount Option	Long-arm wall mount: DS-1602ZJ; Corner mount: DS-1602ZJ-corner; Pole Mount: DS-1602ZJ-pole; Power box mount: DS-1602ZJ-box; Swan-neck mount: DS-1619ZJ

## Dimensions



## Accessories



DS-1602ZJ  
Wall Mount



DS-1602ZJ-Corner  
Conner Mount



DS-1602ZJ-Pole  
Pole Mount



DS-1602ZJ-Box  
Box Mount



DS-1663ZJ  
Ceiling mount



DS-1661ZJ  
Pendant mount



DS-1662ZJ  
Pendant mount



DS-1619ZJ  
Swan-neck Mount



DS-1100KI  
Network Keyboard



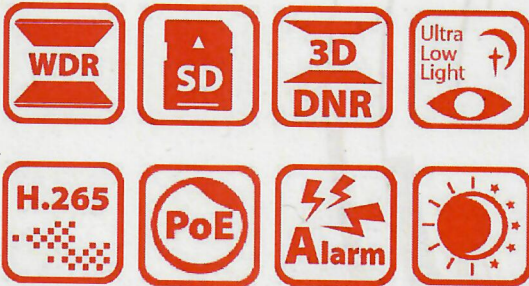
DS-1005KI  
USB Joy-stick

**HIKVISION**



## DS-2DF6225X-AEL 2MP 25× Network Speed Dome

**DARKFIGHTER** 



Hikvision DS-2DF6225X-AEL 2MP 25× Network Speed Dome adopts 1/1.9" progressive scan CMOS chip. With the 25× optical zoom lens, the camera offers more details over expansive areas.

This series of cameras can be widely used for wide ranges of high-definition, such as the rivers, forests, roads, railways, airports, ports, squares, parks, scenic spots, stations and large venues, etc.

### Key Features

- 1/1.9" progressive scan CMOS
- Up to 1920 × 1080 resolution
- Min. Illumination:  
Color: 0.002 Lux @(F1.5, AGC ON)  
B/W: 0.0002 Lux @(F1.5, AGC ON)
- 25× optical zoom, 16× digital zoom
- 120dB WDR, 3D DNR, HLC, Optical Defog
- 24 VAC & Hi-PoE
- Support H.265+/H.265 video compression





## Specification

Camera Module	
<b>DS-2DF6225X-AEL 2MP 25× Network Speed Dome</b>	
Image Sensor	1/1.9" progressive scan CMOS
Min. Illumination	Color: 0.002 Lux @(F1.5, AGC ON) B/W: 0.0002 Lux @(F1.5, AGC ON)
Shutter Time	1/1 s to 1/30,000 s
White Balance	Auto/Manual/ATW (Auto-tracking White Balance)/Indoor/Outdoor/Fluorescent Lamp/Sodium Lamp
AGC	Auto/Manual
Day & Night	IR cut filter
Digital Zoom	16×
Privacy Mask	24 programmable privacy masks
Focus Mode	Auto/Semi-automatic/Manual
3D DNR	Support
BLC	Support
HLC	Support
WDR	120dB
Optical Defog	Support
EIS	Support
Regional Exposure	Support
Regional Focus	Support
Lens	
Focal Length	5.7 mm to 142.5 mm, 25× Optical
Zoom Speed	Approx. 3.7 s (optical lens, wide-tele)
Field of View	Horizontal field of view: 59.8° to 2.8° (wide-tele) Vertical field of view: 33.6° to 1.6° (wide-tele) Diagonal field of view: 68.6° to 3.2° (wide-tele)
Working Distance	10 mm to 1500 mm (wide-tele)
Aperture Range	F1.5 to F3.4
PTZ	
Movement Range (Pan)	360° endless
Pan Speed	Configurable, from 0.1°/s to 300°/s, Preset Speed: 540°/s
Movement Range (Tilt)	From -15° to 90°
Tilt Speed	Configurable, from 0.1°/s to 240°/s, Preset Speed: 400°/s
Proportional Zoom	Support
Presets	300
Patrol Scan	8 patrols, up to 32 presets for each patrol
Pattern Scan	4 pattern scans, record time over 10 minutes for each scan
Power-off Memory:	Support
Park Action	Preset/Pattern Scan/Patrol Scan/Auto Scan/Tilt Scan/Random Scan/Frame Scan/Panorama Scan
PTZ Status Display	Support
Preset Freezing	Support
Scheduled Task	Preset/Pattern Scan/Patrol Scan/Auto Scan/Tilt Scan/Random Scan/Frame Scan/Panorama Scan/Dome Reboot/Dome Adjust/Aux Output
Smart Features	
Smart Detection	Intrusion Detection, Line Crossing Detection, Region Entrance Detection, Region Exiting Detection, Face Detection, Audio Exception Detection
Smart Tracking	Manual Tracking, Auto Tracking, Event Tracking
Smart Record	ANR (Automatic Network Replenishment), Dual-VCA



## DS-2CD6026FHWD-(A) 2MP Low Light Smart Camera

**DARKFIGHTER**



The Darkfighter series ultra-low light Smart cameras are able to capture high quality colored images in dim light environment.

DS-2CD6026FHWD-(A) offers Full HD resolution with up to 60fps high frame rate, 120dB WDR, Auto Back Focus, PoE, Defog, 3D DNR and complete Smart Feature-set to meet a wide variety of applications.

- 1/1.8" Progressive Scan CMOS
- Full HD1080p video
- Up to 60fps frame rate
- Ultra-low light
- Slow shutter
- 120dB WDR
- 3D DNR
- -A: Auto Back Focus
- Audio/Alarm IO
- Support 128G on-board storage
- DC12V/AC24V/PoE

## smart IPC

DS-2CD6026FHWD-(A) is Hikvision Smart IPC and features complete Smart functions including:

### **Smart Detection**

Intrusion Detection, Line Crossing Detection, Object Left/Removal, Area Entering/Leaving, Scene Change Detection, Audio Surge Detection, Audio Loss Detection, Defocus Detection, Face Detection, Object Counting, etc.

### **Smart Codec**

Smart Recording with dual-VCA, Low Bitrate, Low Latency, ROI enhancement, Multi-stream, Rotate Mode, Edge Recording, etc.

### **Smart Image Control**

Smart Auto Focus with ABF (-A)





# DS-2CD6026FHWD-(A) 2MP Low Light Smart Camera

**DARKFIGHTER**



## Specification

<b>Camera</b>	
Image Sensor	1/1.8" Progressive Scan CMOS
Min. Illumination	Color: 0.001 Lux @ (F1.2, AGC ON), B/W: 0.0001 Lux @ (F1.2, AGC ON)
Shutter Speed	1s ~ 1/100,000s
Slow Shutter	Support
Lens Mount	C/CS mount
Auto-iris	DC drive
Day & Night	IR Cut Filter
WDR	120dB
Focus	-A: support ABF
<b>Compression Standard</b>	
Video Compression	H.264/MPEG4/MJPEG
H.264 Type	Baseline Profile / Main Profile / High Profile
Video Bit Rate	32 Kbps – 16 Mbps
Audio Compression	G.711/G.722.1/G.726/MP2L2
Audio Bit Rate	64Kbps(G.711) / 16Kbps(G.722.1) / 16Kbps(G.726) / 32-128Kbps(MP2L2)
<b>Image</b>	
Max. Resolution	1920 × 1080
Frame Rate	50Hz: 50fps(1920 × 1080, 1280 × 960, 1280 × 720) 60Hz: 60fps (1920 × 1080, 1280 × 960, 1280 × 720)
Third Stream	Independent with Main Stream and Sub Stream, up to 50Hz: 25fps(1920 × 1080); 60Hz: 30fps (1920 × 1080)
Image Enhancement	BLC/3D DNR/ROI/Defog/EIS
Image Setting	Rotate Mode, Saturation, Brightness, Contrast, Sharpness adjustable by client software or web browser
Regional Cropping	Support
Day/Night Switch	Auto/Schedule/Triggered by Alarm In
Picture Overlay	LOGO picture can be overlaid on video with 128x128 24bit bmp format
<b>Network</b>	
Network Storage	NAS (Support NFS,SMB/CIFS), ANR
Alarm Trigger	Motion detection, Tampering alarm, Network disconnect, IP address conflict, Storage exception
Protocols	TCP/IP, UDP, ICMP, HTTP, HTTPS, FTP, DHCP, DNS, DDNS, RTP, RTSP, RTCP, PPPoE, NTP, UPnP, SMTP, SNMP, IGMP, 802.1X, QoS, IPv6, Bonjour
Security	User Authentication, Watermark, IP address filtering, Anonymous access
Standard	ONVIF(PROFILE S,PROFILE G),PSIA,CGI,ISAPI
<b>Interface</b>	
Audio	1-ch 3.5 mm audio in( Mic in/Line in)/out interface, 1 build-in Microphone
Communication Interface	1 RJ45 10M/100M Ethernet port, 1 RS-485 interface and 1 RS-232 interface
Alarm	1 input, 1 output (up to DC24V 1A or AC110V 500mA)
Video Output	1Vp-p composite output (75 Ω/BNC)
On-board storage	Built-in Micro SD/SDHC/SDXC slot, up to 128 GB
Reset Button	Yes



## Key Features

### Smart

- 6 behavior analysis, 4 exception detections, 1 recognition, 1 statistic function.
- Smart recording: Support edge recording and dual-VCA.
- Smart encoding: Support low bit rate; low latency; ROI enhance encoding
- Smart lens options: ABF (-A).

### Image

- HD 1920 × 1080@25/30fps
- Support rotate mode, suitable for environment as corridor.
- Support regional cropping, details can be seen with low bandwidth.
- Code smoothness setting for different requirements of image quality and fluency.
- Support H.264/MJPEG/MPEG4 video compression, multi-level video quality configuration; support Basic/Main/High Profile H.264 encoding complexity.
- Multiple OSD color: Black & white self-adaptive; Custom
- 120dB WDR is supportable for backlight environment.
- Support defog, BLC, EIS.

### System

- Support ONVIF (profile S/profile G), CGI, PSIA, ISAPI protocol.
- Support three streams, and Support 20 channels live view at the same time.
- Anti-surge, anti-static protection level.

### Interface

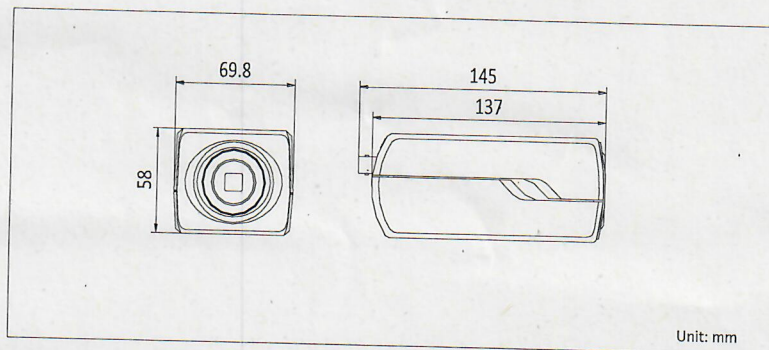
- Support standard 128G Micro SD/SDHC/SDXC card storage.
- Support 10M/100M Ethernet Port.
- Support Audio I/O, support dual channel stereo audio.
- Support Alarm I/O
- Support CVBS analog output (4CIF resolution)

### Security

- Support three-level user authentication management, user and password authorization, IP address filtering and anonymous access.
- Support security certificate as HTTPS, SSH; support creating certificate.
- Basic and digest authentication is supportable in IE configuration
- Lock user IP for many times error login



## Dimensions



Unit: mm

### Audio

Environment Noise Filtering	Support
Audio I/O	Support dual audio track, stereo
Audio Sampling Rate	16kHz / 32kHz / 44.1kHz / 48kHz

### Smart Feature-set

Behavior Analysis	Line crossing detection, Intrusion detection, Region entrance, Region exiting, Unattended baggage, Object removal
Line Crossing Detection	Cross a pre-defined virtual line
Intrusion Detection	Enter and loiter in a pre-defined virtual region
Region Entrance	Enter a pre-defined virtual region from the outside place
Region Exiting	Exit from a pre-defined virtual region
Unattended Baggage	Objects left over in the pre-defined region such as the baggage, purse, dangerous materials
Object Removal	Objects removed from the pre-defined region, such as the exhibits on display.
Exception Detections	Scene change detection, Sudden audio increase/decrease detection, Audio loss detection, Defocus detection
Recognition	Face detection recognition
Statistics	Object Counting (Entrance and Exit object number is accounted and showed on screen in real time)

### General

Operating Conditions	-30 °C – 60 °C (-22 °F – 140 °F), Humidity 95% or less (non-condensing)
Power Supply	24 V AC ± 10%, 12 V DC ± 10%, PoE (802.3af)
Power Consumption	Max. 6 W (Max. 9W with IR cut filter on)
Dimensions	69.8×58×145 mm (2.75" × 2.28" × 5.71")
Weight	830 g (1.83 lbs)

### Order Models

DS-2CD6026FHWD, DS-2CD6026FHWD-A

## Accessories



HV3816D-8MPIR  
3.8~16mm DC Iris Lens



HV1140D-8MPIR  
11~40mm DC Iris Lens



DS-1293ZJ  
Long Arm Wall Mount



DS-1292ZJ  
Short Arm Wall Mount










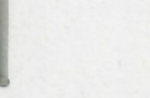

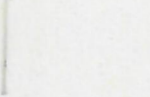


DS-1322HZ-C/H/CW/HW  
Outdoor Housing



DS-1320HZ  
Indoor Housing



## Accessories

	DS-1604ZJ	Wall Mounting Bracket
	DS-1604ZJ-box	Wall Mounting Bracket with Junction Box
	DS-1604ZJ-box-pole	Vertical Pole Mounting Bracket with Junction Box
	DS-1604ZJ-box-corner	Wall Mounting Bracket with Junction Box
	DS-1660ZJ	Parapet Wall Mounting Bracket
	DS-1619ZJ	Gooseneck Mounting Bracket
	DS-1661ZJ	Pendant Mounting Bracket
	DS-1662ZJ	Pendant Mounting Bracket
	DS-1663ZJ	Ceiling Mounting Bracket
	DS-1667ZJ	Extendable Pole for Pendant Mounting Bracket
	DS-1673ZJ	Horizontal Pole Mounting Bracket
	DS-1682ZJ	Extendable Pole for Pendant Mounting Bracket

### Headquarters

No.555 Dianmo Road, Binjiang District,  
Hangzhou 310051, China  
T +86-571-8807-5998  
overseasbusiness@hikvision.com

**Hikvision USA**  
T +1-909-895-0400  
sales.usa@hikvision.com

**Hikvision Italy**  
T +39-0438-6902  
info.it@hikvision.com

**Hikvision Singapore**  
T +65-6684-4718  
sg@hikvision.com

**Hikvision South Africa**  
Tel: +27 (10) 0351172  
sale.africa@hikvision.com

**Hikvision Europe**  
T +31-23-55-42-770  
info.eu@hikvision.com

**Hikvision France**  
T +33(0)1-85-330-450  
info.fr@hikvision.com

**Hikvision Oceania**  
T +61-2-8599-4233  
salesau@hikvision.com

**Hikvision Hong Kong**  
T +852-2151-1761

**Hikvision Middle East**  
T +971-4-8816086  
salesme@hikvision.com

**Hikvision Spain**  
T +34-91-737-16-55  
info.es@hikvision.com

**Hikvision Canada**  
T +1-909-895-0400  
sales.usa@hikvision.com

**Hikvision Russia**  
T +7-495-669-67-99  
saleru@hikvision.com

**Hikvision Poland**  
T +48-22-460-01-50  
poland@hikvision.com

**Hikvision Korea**  
T +82-31-731-8841  
sales.korea@hikvision.com

**Hikvision India**  
T +91-22-28469900  
sales@pramahikvision.com

**Hikvision UK**  
T +01628-902140  
support.uk@hikvision.com

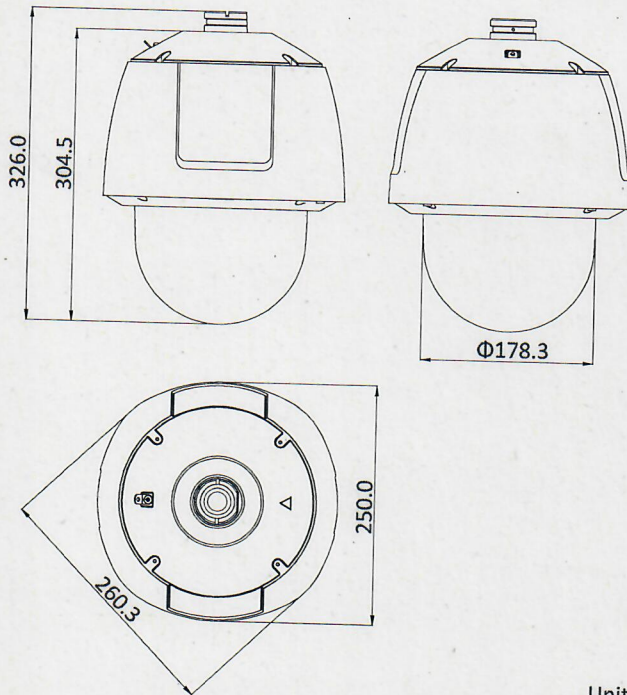
**Hikvision Brazil**  
T +55 11 3318-0050  
Latam.support@hikvision.com



**Order Model**

DS-2DF6225X-AEL, 24 VAC & Hi-PoE

**Dimensions**



Unit: mm

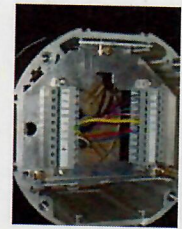


Network	
Max. Resolution	1920 × 1080
Main Stream	50Hz: 25fps (1920 × 1080, 1280 × 960, 1280 × 720) 50fps (1920 × 1080, 1280 × 960, 1280 × 720) 60Hz: 30fps (1920 × 1080, 1280 × 960, 1280 × 720) 60fps (1920 × 1080, 1280 × 960, 1280 × 720)
Sub-Stream	50Hz: 25fps (704 × 576, 640 × 480, 352 × 288) 60Hz: 30fps (704 × 480, 640 × 480, 352 × 240)
Third Stream	50Hz: 25fps (1920 × 1080, 1280 × 960, 1280 × 720, 704 × 576, 640 × 480, 352 × 288) 60Hz: 30fps (1920 × 1080, 1280 × 960, 1280 × 720, 704 × 480, 640 × 480, 352 × 240)
ROI	Support
SVC	Support
Video Compression	Main Stream: H.265+/H.265/H.264+/H.264 Sub-Stream: H.265/H.264/MJPEG Third Stream: H.265/H.264/MJPEG H.264 with Baseline/Main/High Profile
Audio compression	G.711alaw/G.711ulaw/G.722.1/G.726/MP2L2/PCM
Protocols	IPv4/IPv6, HTTP, HTTPS, 802.1x, Qos, FTP, SMTP, UPnP, SNMP, DNS, DDNS, NTP, RTSP, RTCP, RTP, TCP/IP, DHCP, PPPoE, Bonjour
Simultaneous Live View	Up to 20 channels
User/Host	Up to 32 users 3 levels: Administrator, Operator and User
Security Measures	User authentication (ID and PW), Host authentication (MAC address); HTTPS encryption; IEEE 802.1x port-based network access control; IP address filtering
System Integration	
Alarm Input	7-ch alarm input
Alarm Output	2-ch alarm output
Alarm Linkage	Alarm actions, such as Preset, Patrol Scan, Pattern Scan, Memory Card Video Record, Trigger Recording, Notify Surveillance Center, Upload to FTP/Memory Card/NAS, Send Email, etc.
Audio Input	1-ch audio input
Audio Output	1-ch audio output
Network Interface	1 RJ45 10 M/100 M Ethernet Interface; Hi-PoE
CVBS	Support
RS-485	HIKVISION, Pelco-P, Pelco-D, self-adaptive
Storage	Built-in memory card slot, support Micro SD/SDHC/SDXC, up to 256 GB; NAS (NPS, SMB/CIFS), ANR
API	Open-ended, support ONVIF, and CGI, support HIKVISION SDK and Third-Party Management Platform
Client	iVMS-4200, iVMS-4500, iVMS-5200, Hik-Connect
Web Browser	IE7+, Chrome18-42, Firefox5.0+, Safari5.02+
General	
Power	24 VAC (Max. 60 W) Hi-PoE (Max. 50 W)
Working Temperature	Outdoor: -40°C to 65°C (-40°F to 149°F)
Working Humidity	≤ 90%
Protection Level	IP67 Standard, K10 (only supported by camera without wiper), TVS 6,000V Lightning Protection, Surge Protection and Voltage Transient Protection
Dimensions	Φ 260.3 mm × 326 mm (Φ 10.25" × 12.8")
Weight	Approx. 6 kg (13.23 lb)



# VPK477APIR

## Schwenk- und positionierbare wetterfeste Farbkamera (T/N) mit Zoomobjektiv 8-120mm und 2-Draht-Ausgang



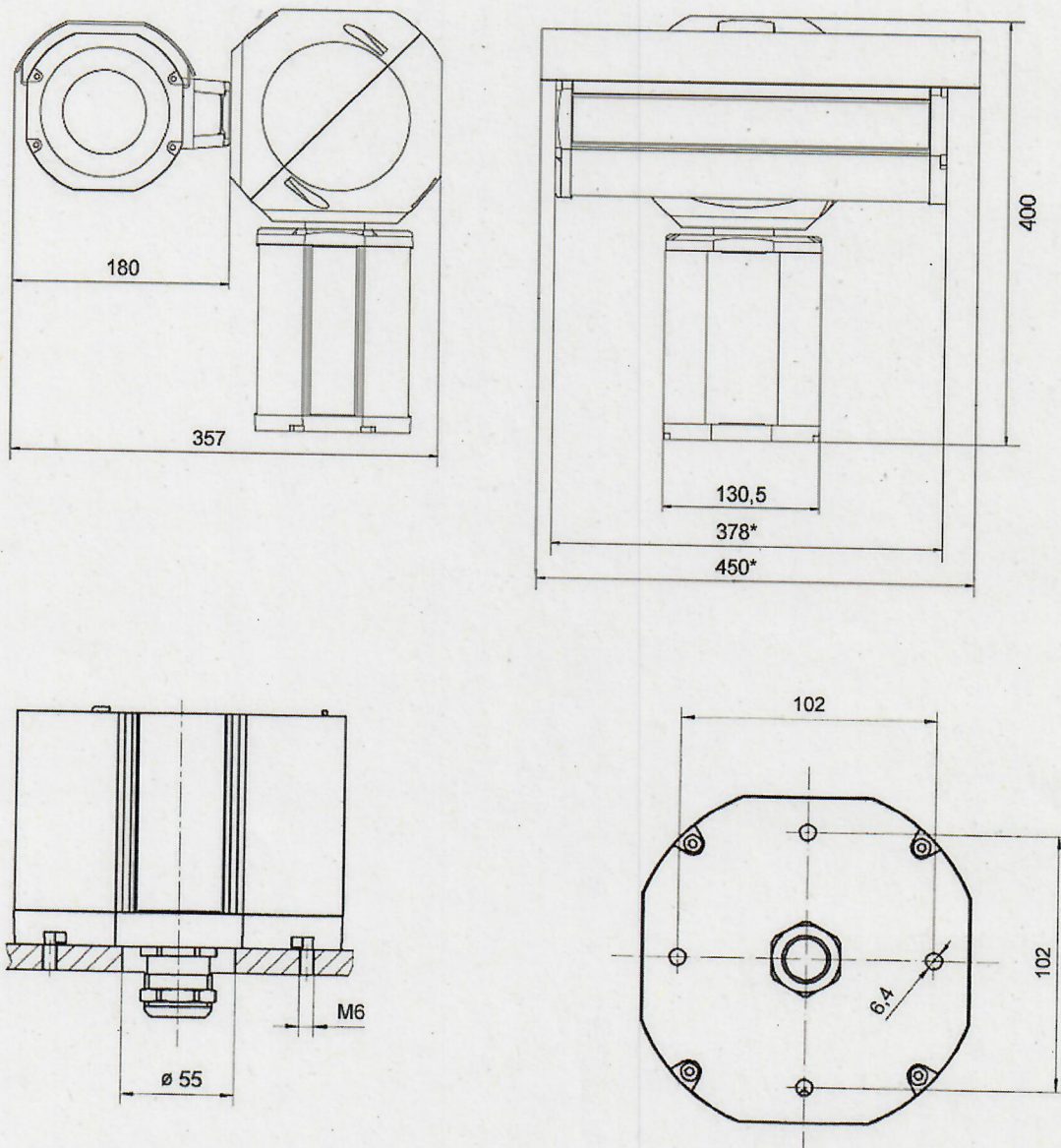
### Technische Daten

Sensor	1/2" Interline Transfer CCD
Pixel	752 (H) x 582 (V)
Zeilenorm	625 Zeilen, 50 Hz
Abtastnorm	CCIR mit Zeilensprung
Horizontale Auflösung	480 Zeilen (Farbe), 570 Zeilen (S/W)
Mindestbeleuchtung	0,14 Lux (Farbe), 0,01 Lux (S/W)
Versorgungsspannung	14 ... 29 V DC
Leistungsaufnahme (nur Kam.)	5W
Max. Drehgeschwindigkeiten	200%/s horizontal 100%/s vertikal
Min. Drehgeschwindigkeiten	0,58 %/s horizontal 0,32%/s vertikal
Drehmomente	5 Nm horizontal 10 Nm vertikal
Geschwindigkeitsstufen	mit Exponentialverlauf: 7 für manuelles Steuern, 63 für Sonderfunktionen
Drehwinkel,	330° (keine Schleifringkapsel)
Drehwinkel, vertikal	+ 90°-100°
Drehwinkelbegrenzung	durch Bediengerät einstellbar
Getriebe-Umkehrspiel	< 0,2°, durch Steuerung kompensiert
Tragfähigkeit	20 kg
Montagearten	stehend
Masse, SNK mit Kamera	ca. 15 kg
Gehäusematerial	Aluminium Druckguss
Farbe	RAL 7032
Schutzart	IP 66
Umgebungstemperatur-Bereich	-25 ... +55 °C,
Heizung	eingebaut
Versorgungsspannung Antrieb	42 VDC -40 % / +20 %
Ruhestrom	0,7 A / 0,4 A (bei min./max. Betriebsspannung)
Stromaufnahme bei Vollast	3,6 A / 1,9 A (bei min./max. Betriebsspannung)
Versorgungsspannung Kamera	10 - 29 VDC
Stromaufnahme	Kamerastrom plus 0,15 A / 0,06 A (bei min./max. Betriebsspannung)
Anschlüsse	Federkontakt-Klemmen im Anschluss-Sockel
Steuerung	Fernwirkempfänger eingebaut, 3 Prozessoren
Steuerschnittstelle,	seriell RS 485, Funkwerk plettac-Prozedur
Anzahl speicherbare Positionen	250
Autopan bzw. Pendeln	Geschwindigkeit voreingestellt
Schalt-Ein-/Ausgänge	4, open Kollektor
Steuerspannungen für Objektivmotoren	Maximalwert über serielle Schnittstelle wählbar, 7 bis 15 V. Variable Geschwindigkeit mit Geschwindigkeitsregelung bestimmt aktuellen Wert



# VPK477APIR

## Maßzeichnung





# VPK477APIR

## Anschlussplan

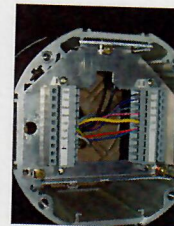
Beschreibung	Kl.	Kabel FM 20x2x0,8	FM-Verteiler. Bu2	Bemerkungen
VPK477APIR Sockel	+Sym.	rt1-1	Leiste x 1a	
VPK477APIR Sockel	-Sym.	rt1-2	Leiste x 1b	
		rt1-3	Leiste x 2a	
		rt1-4	Leiste x 2b	
VPK477APIR Sockel	TXDA	gn1-1	Leiste x 3a	
VPK477APIR Sockel	TXDB	gn1-2	Leiste x 3b	
VPK477APIR Sockel	RXDA	gn1-3	Leiste x 4a	
VPK477APIR Sockel	RXDB	gn1-4	Leiste x 4b	
VPK477APIR Sockel	+24V	gr1-1	Leiste x 5a	
VPK477APIR Sockel	+24V	gr1-2	Leiste x 5b	
VPK477APIR Sockel	+24V	gr1-3	Leiste x 6a	
VPK477APIR Sockel	+24V	gr1-4	Leiste x 6b	
VPK477APIR Sockel	+24V	ge1-1	Leiste x 7a	
VPK477APIR Sockel	+24V	ge1-2	Leiste x 7b	
VPK477APIR Sockel	-24V	ge1-3	Leiste x 8a	
VPK477APIR Sockel	-24V	ge1-4	Leiste x 8b	
VPK477APIR Sockel	-24V	we1-1	Leiste x 9a	
VPK477APIR Sockel	-24V	we1-2	Leiste x 9b	
VPK477APIR Sockel	-24V	we1-3	Leiste x 10a	
VPK477APIR Sockel	-24V	we1-4	Leiste x 10b	
VPK477APIR Sockel	+42V	rt2-1	Leiste (x+1) 1a	
VPK477APIR Sockel	+42V	rt2-2	Leiste (x+1) 1b	
VPK477APIR Sockel	+42V	rt2-3	Leiste (x+1) 2a	
VPK477APIR Sockel	+42V	rt2-4	Leiste (x+1) 2b	
VPK477APIR Sockel	+42V	gn2-1	Leiste (x+1) 3a	
VPK477APIR Sockel	+42V	gn2-2	Leiste (x+1) 3b	
VPK477APIR Sockel	+42V	gn2-3	Leiste (x+1) 4a	
VPK477APIR Sockel	+42V	gn2-4	Leiste (x+1) 4b	
VPK477APIR Sockel	+42V	gr2-1	Leiste (x+1) 5a	
VPK477APIR Sockel	+42V	gr2-2	Leiste (x+1) 5b	
VPK477APIR Sockel	-42V	gr2-3	Leiste (x+1) 6a	
VPK477APIR Sockel	-42V	gr2-4	Leiste (x+1) 6b	
VPK477APIR Sockel	-42V	ge2-1	Leiste (x+1) 7a	
VPK477APIR Sockel	-42V	ge2-2	Leiste (x+1) 7b	
VPK477APIR Sockel	-42V	ge2-3	Leiste (x+1) 8a	
VPK477APIR Sockel	-42V	ge2-4	Leiste (x+1) 8b	
VPK477APIR Sockel	-42V	we2-1	Leiste (x+1) 9a	
VPK477APIR Sockel	-42V	we2-2	Leiste (x+1) 9b	
VPK477APIR Sockel	-42V	we2-3	Leiste (x+1) 10a	
VPK477APIR Sockel	-42V	we2-4	Leiste (x+1) 10b	

Bemerkung : Die max. Kabellänge bei Verwendung von FM-Kabel 20x2x0,8 beträgt 700m.



# VPK477APIR-IP

**Schwenk- und positionierbare wetterfeste  
Full HD Tag/Nacht Netzwerk Kamera mit  
Zoomobjektiv 7,5-120mm**



## Technische Daten

Sensor	1 / 1.8"- Prog. Scan CMOS
Videokompression	H264, MPEG4, MJPEG
Max. Auflösung	1920x1080 Pixel
Bildrate	50Hz
Empfindlichkeit	0,001 Lux Farbe
Empfindlichkeit	0,0001 Lux SW
Max. Drehgeschwindigkeiten	200°/s horizontal 100°/s vertikal
Min. Drehgeschwindigkeiten	0,58 °/s horizontal 0,32°/s vertikal
Drehmomente	5 Nm horizontal 10 Nm vertikal
Geschwindigkeitsstufen	mit Exponentialverlauf: 7 für manuelles Steuern, 63 für Sonderfunktionen
Drehwinkel,	330° (keine Schleifringkapsel)
Drehwinkel, vertikal	+ 90°/-100°
Drehwinkelbegrenzung	durch Bediengerät einstellbar
Getriebe-Umkehrspiel	< 0,2°, durch Steuerung kompensiert
Tragfähigkeit	20 kg
Montagearten	stehend
Masse, SNK mit Kamera	ca. 15 kg
Gehäusematerial	Aluminium Druckguss
Farbe	RAL 7032
Schutzart	IP 66
Umgebungstemperatur-Bereich	-25 ... +55 °C,
Heizung	eingebaut
Versorgungsspannung Antrieb	42 VDC -40 % / +20 %
Ruhestrom	0,7 A / 0,4 A (bei min./max. Betriebsspannung)
Stromaufnahme bei Vollast	3,6 A / 1,9 A (bei min./max. Betriebsspannung)
Versorgungsspannung Kamera	14 - 29 VDC
Leistungsaufnahme Kamera	~ 25 W
Ausgang	Ethernet 10Base-T / 100Base-TX
Standard	ONVIF(Profile S, Profile G), PSIA, CGI, ISAPI
Videoausgang	FBAS, sym. 2-Draht-Ausgang
Anschlüsse	Federkontakt-Klemmen im Anschluss-Sockel



# VPK477APIR-IP

## Maßzeichnung

